

Our Story

Warrior was founded in 1978 and began manufacturing structural support systems for the grain handling industry including conveyor trusses, support towers and stair platform systems. Early in its history, Warrior also manufactured tractor quick hitches under the Warrior brand name. Warrior continues to sell quick hitches to Original Equipment Manufacturers (OEMs) and through a nationwide network of dealers.

After new ownership acquired the company in 2002, Warrior expanded to serve additional industries including mining, food processing and the ethanol industry. Warrior also made a substantial investment in equipment to manufacture structural steel for the construction industry. Warrior also sought and received the AISC certification from the American Institute of Steel Construction.

For many years, Warrior operated out of a 25,000 square foot facility in Redwood Falls, Minnesota. Due to rapid growth, Warrior built a state-of-the-art facility in Hutchinson, Minnesota in 2007. In 2012, Warrior acquired Micada, a company manufacturing hopper cones for on-farm grain storage. In 2016 the company began manufacturing material handling equipment in a facility in Omaha, Nebraska. Warrior now has over 200,000 square feet of manufacturing space in four locations throughout the Midwest.

BUCKET ELEVATOR CAPACITIES

| MODEL | PULLEY DIA | CUP SIZE | CAPACITY BPH | CAPACITY TPH | CAPACITY MTPH | CAPACITY CFH | ROWS | SPACING | HEAD RPM | BELT SPEED | BELT WIDTH | TRUNKING WIDTH | TRUNKING DEPTH |
|-------|------------|----------|--------------|--------------|---------------|--------------|------|---------|----------|------------|------------|----------------|----------------|
| 2417 | 24 | 9X5 | 3000 | 90 | 80 | 3700 | 1 | 6 | 76 | 497 | 12 | 17 | 11,5 |
| 2420 | 24 | 12X6 | 4000 | 120 | 110 | 5000 | 1 | 7,5 | 65 | 425 | 15 | 20 | 11,5 |
| 3020 | 30 | 12X6 | 5000 | 150 | 140 | 6200 | 1 | 8 | 70 | 568 | 15 | 20 | 12,75 |
| 3020 | 30 | 12X7 | 6000 | 180 | 160 | 7500 | 1 | 9 | 70 | 568 | 15 | 20 | 12,75 |
| 3022 | 30 | 14X7 | 7872 | 240 | 210 | 9800 | 1 | 8 | 71 | 576 | 17 | 22 | 12,75 |
| 3622 | 36 | 14X7 | 8500 | 250 | 230 | 10600 | 1 | 8 | 65 | 630 | 17 | 22 | 12,75 |
| 3624 | 36 | 16X7 | 10000 | 300 | 270 | 12400 | 1 | 8 | 65,5 | 635 | 19 | 24 | 12,75 |
| 4220 | 42 | 12X8 | 10000 | 300 | 270 | 12400 | 1 | 9 | 60 | 675 | 15 | 20 | 13,75 |
| 4226 | 42 | 18X8 | 15000 | 450 | 410 | 18700 | 1 | 9,25 | 60 | 675 | 21 | 26 | 13,75 |
| 4232 | 42 | 12X8 | 20000 | 600 | 540 | 24900 | 2 | 9 | 60 | 675 | 27 | 32 | 13,75 |
| 4822 | 48 | 14X8 | 12500 | 370 | 340 | 15600 | 1 | 9 | 56 | 718 | 17 | 22 | 13,75 |
| 4826 | 48 | 18X8 | 15000 | 450 | 410 | 18700 | 1 | 10 | 56 | 718 | 21 | 26 | 13,75 |
| 4832 | 48 | 12X8 | 20000 | 600 | 540 | 24900 | 2 | 9,5 | 56 | 718 | 27 | 32 | 13,75 |
| 4836 | 48 | 14X8 | 25000 | 750 | 680 | 31100 | 2 | 9 | 56 | 718 | 31 | 36 | 13,75 |
| 4844 | 48 | 18X8 | 30000 | 900 | 810 | 37300 | 2 | 10 | 56 | 718 | 39 | 44 | 13,75 |
| 4857 | 48 | 16X8 | 40000 | 1190 | 1080 | 49800 | 3 | 10 | 56 | 718 | 52 | 57 | 13,75 |
| 4863 | 48 | 18X8 | 50000 | 1490 | 1350 | 62200 | 3 | 9 | 56 | 718 | 58 | 63 | 13,75 |
| 4870 | 48 | 20X8 LP | 60000 | 1790 | 1630 | 74700 | 3 | 8 | 56 | 718 | 64 | 70 | 13,75 |
| 4870 | 48 | 20X10 | 60000 | 1790 | 1630 | 74700 | 3 | 12 | 52 | 667 | 65 | 70 | 15 |

*All capacities based on 48 lbs. per cubic foot (746 KG per cubic meter)

** Capacities are based on dry, free flowing granular material with proper loading conditions



CUSTOM ENGINEERED PRODUCTS THAT
DELIVER SOLUTIONS

BUCKET ELEVATORS



Mailing Address:

1145 5th Avenue SE
Hutchinson, MN 55350

Warrior Mfg., LLC

Ph: 320-587-5505
Fax: 320-587-3040

E-mail: sales@warriormfgllc.com

www.warriormfgllc.com



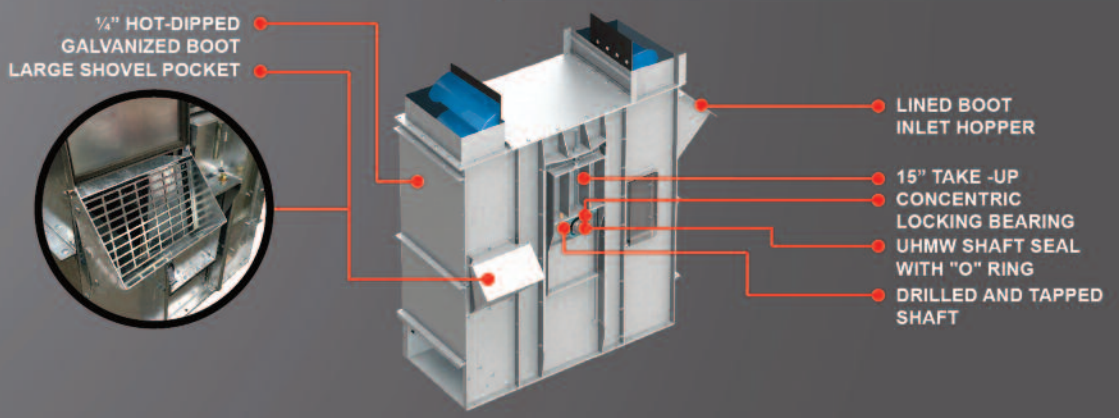
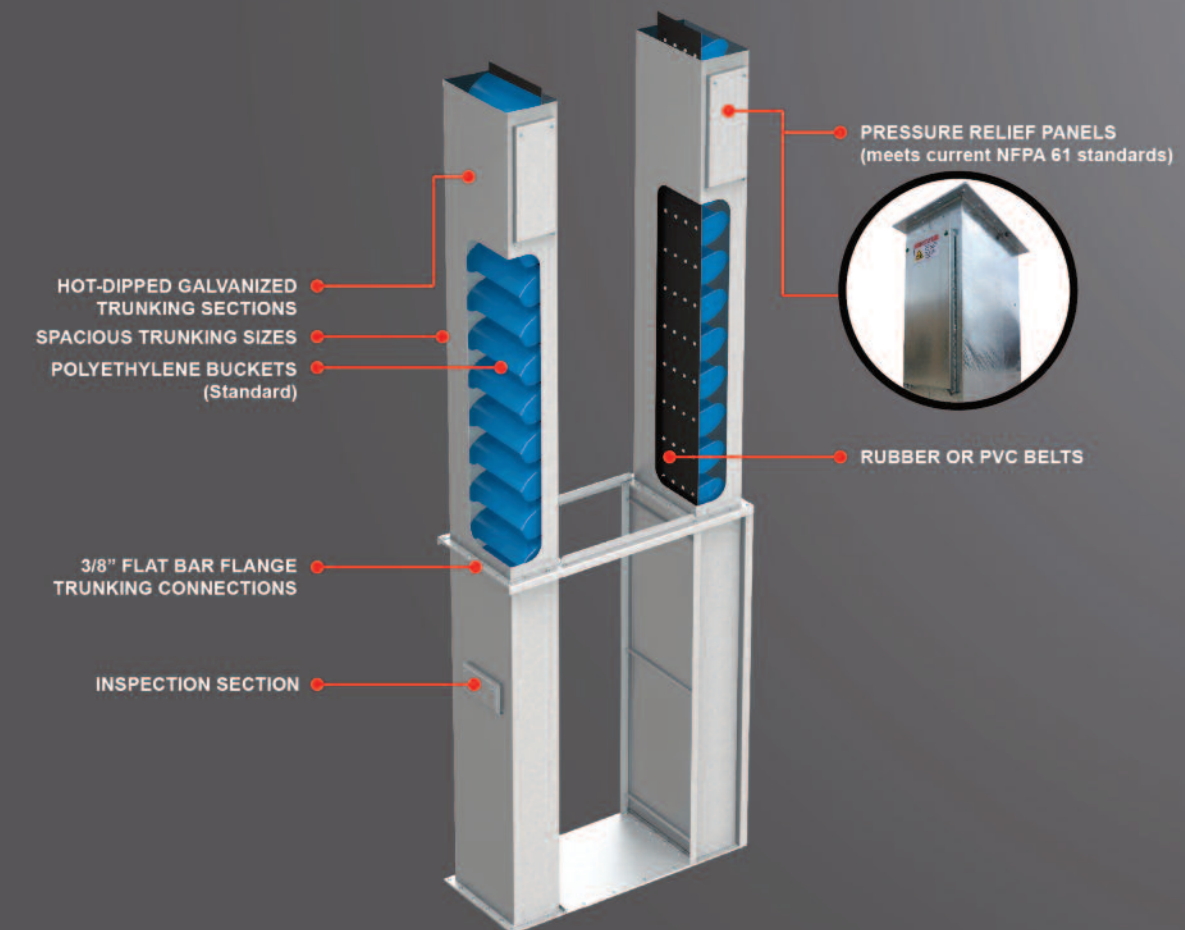
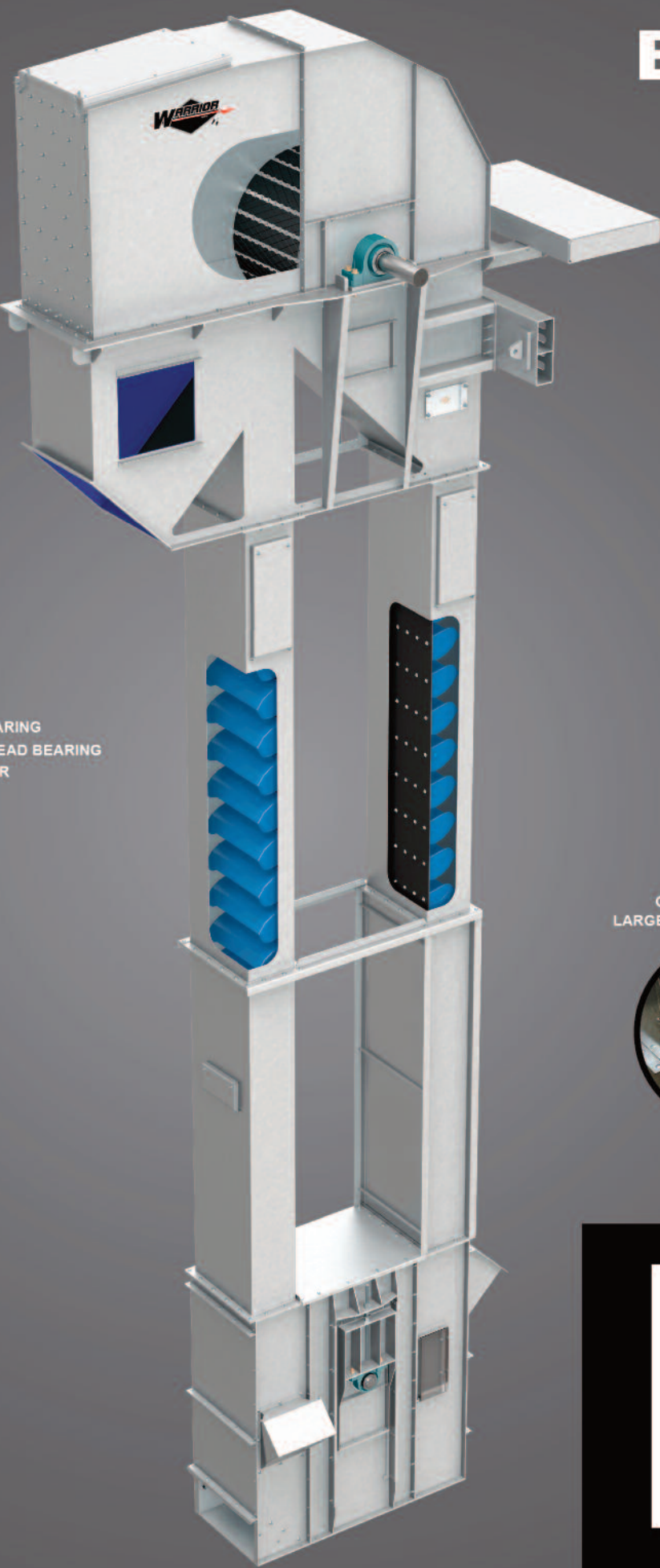
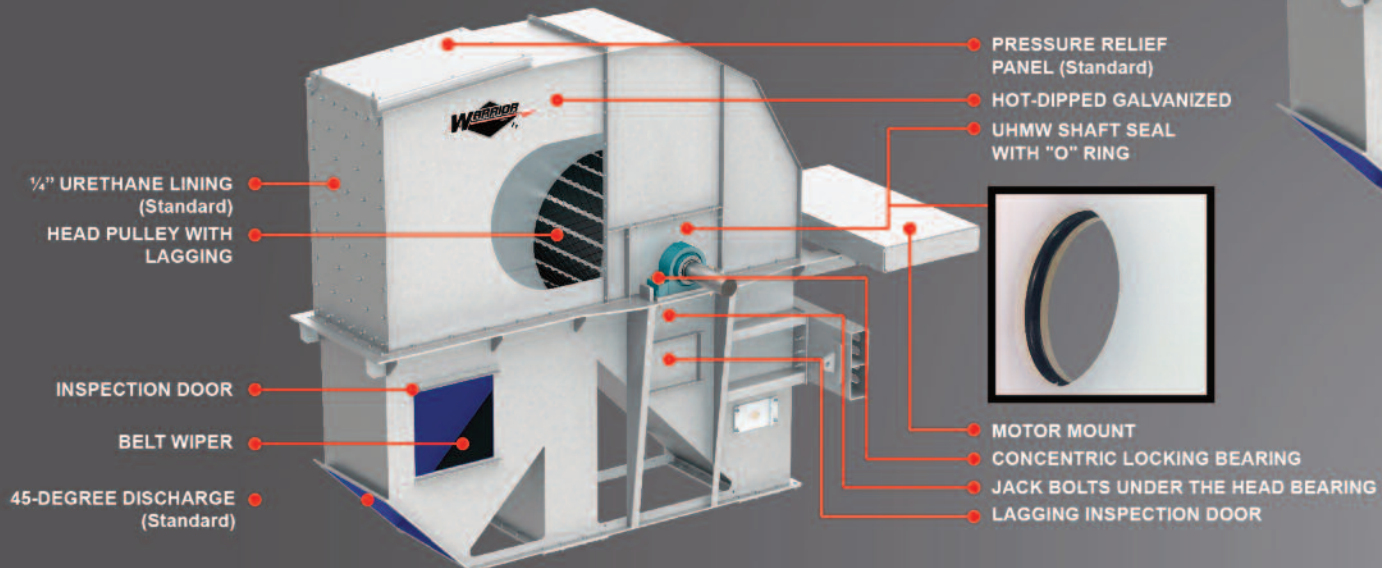
www.warriormfgllc.com



BUCKET ELEVATORS

Options

- Platforms
- Gravity and Self-Cleaning boots
- Drum, Spiral Wing or Chevron boot pulleys
- Safety Switches
- Kryptane or Ceramic tile lining
- V-Belt, HTD, or Direct couple drives
- Magnets (manual or air operated)
- Jib Booms
- Stainless Steel
- Rack and pinion Cleanouts
- Support towers and Catwalks



Screw take-up



Gravity take-up



Self-cleaning